

Cabinet enclosure designed Class II Type A2 provides personnel, product and environment protection from hazardous particles such as bacteria, viruses, genetically manipulated materials and nucleic acids that require Biosafety Level 1, 2 or 3 containments. Various applications in medical, biomedical, biotechnology, pharmaceutical, cell culture, tissue culture, virology and pathology applications using pathogens, genetic materials, carcinogens, allergens may generate hazardous airborne particles.

Performance

- Biological Safety Level Class II Type A2 design provides a higher level of personnel, product and cross contamination protection by keeping filtrate airborne particles from the air stream
- Inflow from room air is drawn into the inlet grille at the work access opening and passes through a negative pressure plenum to a blower, creating HEPA filtered downward laminar air stream over the work area
- Approximately 70% of the HEPA-filtered air is re-circulated through the cabinet into the work zone, while 30% passes through an exhaust HEPA filter and is discharged into the laboratory room air
- Aluminum Frame Mini-pleated HEPA filters with nominal filtration efficiency of 99.99% for airborne particles larger than 0.3 μm
- Optional ULPA filter has higher filtration efficiency of 99.999% for airborne particles larger than 0.12 μm

Construction

- Durable epoxy powder coated metallic casing.
- Removable Stainless Steel 304 working plate
- Tempered Safety Glass Sash Door

Convenience

- Ergonomic arm rest and 3 degree slanted front glass window
- Removable working plate for easy cleaning and decontamination
- Front service access panel for comfortable maintenance
- The front door can also be closed fully to keep the cabinet interior clean during non-use period as well as to prevent exposure to UV radiation during sterilization
- Epoxy powder coated SPCC exterior for durability
- Silent and vibration free blower fan motor for comfortable working environment
- LED lamp working light
- 253 nm Germicidal UV lamp on working zone
- Supplied with Base Stand with casters



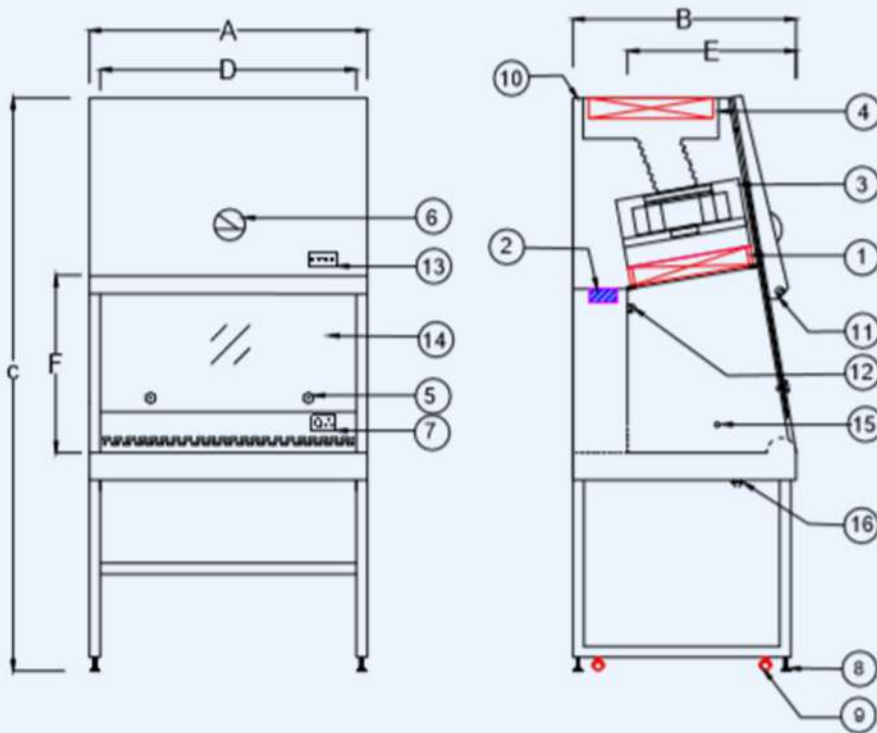
ABS 1200 A2G



ABS 1200 A2S

Aeromech Class II Biosafety Cabinet A2

(Product Protection Only)



- | ENGINEERING DETAILS | |
|---------------------|--------------------------------|
| 1) | SUPPLY HEPA FILTER |
| 2) | PRE FILTER |
| 3) | BLOWER |
| 4) | EXHAUST HEPA FILTER |
| 5) | HANDLE |
| 6) | MAGNEHELIC GAUGE 0-25 MM |
| 7) | 5/15 AMPS POWER SOCKET |
| 8) | LEVELLING LEG |
| 9) | CASTOR WHEEL |
| 10) | MALE/FEMALE CONNECTOR |
| 11) | TUBE LIGHT |
| 12) | UV LIGHT |
| 13) | FEATHER TOUCH KEYBOARD |
| 14) | POLYCARBONATE DOOR |
| 15) | GAS INLET AND OUTLET PROVISION |
| 16) | DRAIN HOLE |

Specification for Aeromech make Class II Biosafety Cabinet Type A2

Model		ABS 900 A2G / ABS 900 A2S	ABS 1200 A2G / ABS 1200 A2S	ABS 1800 A2G / ABS 1800 A2S
Dimensions	Internal Size	900 x 600 x 600	1200 x 600 x 600	1200 x 600 x 600
W x D x H in mm	Overall Size	1010 x 850 x 2050	1310 x 850 x 2050	1910 x 850 x 2050
Protection	Product & Personnel & Environment			
Application	Suitable for Biosafety Level 1, 2 & 3			
Air Balancing	70% Recirculation & 30 % Exhaust Air			
Inflow Velocity	Minimum Average Inflow 0.51 m/sec as per NSF 49 & EN 12469			
Down Flow Velocity	Average Downflow 0.25 – 0.40 m/sec as per NSF 49 & EN 12469			
Cleanliness Level	ISO Class 5 as per ISO 14644-1 (Class 100 As per US FED STD 209E)			
Noise Level	Minimum 58dB on A scale ± 5			
Light Intensity	Minimum 750 Lux on the working table through LED Light fitting			
Differential Pressure	Magnehelic Gauge 0-25 mm			
Front Door	Anti UV 5mm Clear Polycarbonate Sheet with UV Lamp Interlocking			
Castor Wheel	Universal Castor Wheels with Brake & Levelling Leg			
Material of Construction Main Body	1.2mm thick Galvanised Iron Sheet with epoxy powder coated or IS 304 Grade Stainless steel with satin finish			
Inner Working Area	IS 304 Grade Stainless Steel with Perforation			
Working Table	IS 304 Grade Stainless Steel Sheet with satin finish			
Supply & Exhaust HEPA Filter	H 14 Grade >99.999% efficiency down to 0.3 Micron			
Pre-Filter Efficiency	G6 Grade > 90% efficiency down to 5 micron			
Motor Blower	Centrifugal Motor Blower with statically and Dynamically Aluminium Impeller			
Ultraviolet Lamp	254 nm wavelength Philips make UV Lamp			
Standard Accessories	5Amps Combined Socket Switch & Gas Cock,			
Power Supply	AC 220V±10%, 50 Hz			

G – Galvanized Iron Sheet & S – IS 304 Grade Stainless Steel

AEROMECH EQUIPMENTS PRIVATE LIMITED

Registered Office :
 # 3/1760, Door No:F-5, Sri Sudharsan Flat,
 Bell Nagar, Kundrathur Road, Porur,
 Chennai- 600116. Tamil Nadu, India.
 E-mail: mail@aeromech.in
 +91 44 43842021/ 43842030

Factory :
 8/64, Dhanabakiyam Street, Krishnaveni
 Industrial Estate , Mangadu Main Road.
 Paraniputhur, Chennai -600122. TN
 E-mail: sales@aeromech.in
 +91 9445064312/ +91 8148156075