

Aeromech make Dynamic Pass Box is normally used to transfer materials and goods between cleanrooms of the different levels of cleanliness. It Includes the HEPA filter and Blower unit that provides Clean air with laminar airflow and provide air circulation to maintain sterile environment during the transfer of materials. When the operator places the material inside the dynamic pass box and closes the doors Blower starts running. The blower circulates air from the clean area through HEPA Filters which removes any particles or contaminants from air. The filtered air is then blown into the dynamic pass Box, creating positive pressure inside the box Which helps to prevent the entry of contaminants from the outside . The operator can open the second door of the pass box, which allows them to remove material from the box and transfer it in to cleanroom without the risk of contaminating the environment.

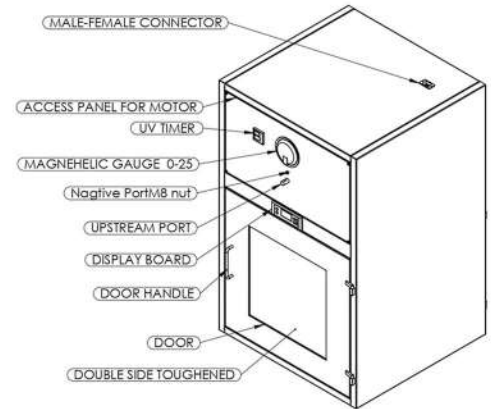
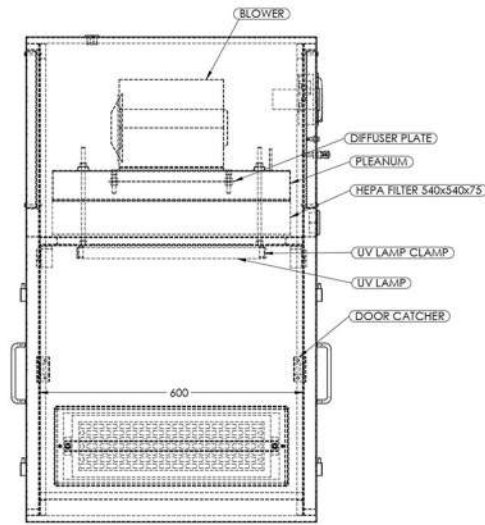
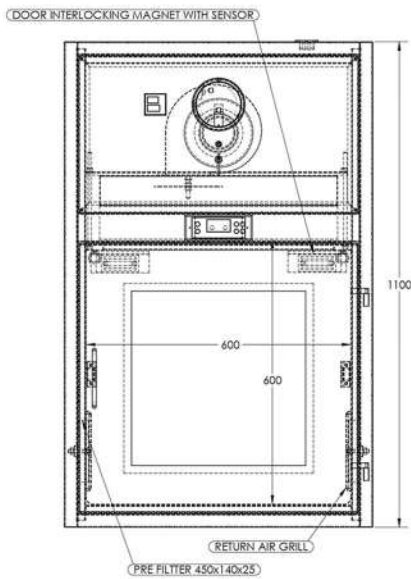


Applications of Pass box in Pharma.

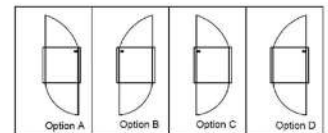


Application	Description
Material transfer	Pass boxes are commonly used to transfer materials or objects between two areas of differing cleanliness without the need for personnel to enter the cleanroom, preventing the risk of contamination. This is particularly important in pharmaceutical plants where the introduction of contaminants can compromise the quality of the products being manufactured.
Equipment transfer	Pass boxes can also be used to transfer equipment or components between different cleanrooms or between cleanrooms and non-cleanroom areas. This helps to prevent the introduction of contaminants into the cleanroom environment and ensures that the equipment or components being transferred remain sterile.
Waste transfer	Pass boxes can also be used to transfer waste materials from the cleanroom to non-cleanroom areas. The pass box ensures that the waste materials are contained and do not contaminate the cleanroom environment.
Product sampling	Pass boxes can be used to transfer product samples from the cleanroom to a testing laboratory for analysis. The pass box ensures that the samples remain sterile and that the laboratory environment is not contaminated.
Material storage	Pass boxes can be used as temporary storage areas for materials or components before they are transferred into the cleanroom environment. The pass box ensures that the materials remain sterile while they are stored and prevents the introduction of contaminants into the cleanroom environment.

NABL Accredited Laboratory as per ISO 17025:2017



Door Arrangement option



Specification for Dynamic Pass Box:

Model	ADPB 600G*/ ADPB 600S*	ADPB 750G/ADPB 750S	ADPB 900G/ ADPB 900S
Dimension- Internal	600 x 600 x 600	750 x 750 x 750	900 x 900 x 900
Dimension – Outer	710 x 650 x 710	860 x 800 x 860	1010 x 950 x 1010
Application	Material transfer between cleanroom		
Air Balancing	90% Recirculation & 10% Fresh air		
Door Option	Stright Entry Straight exit, L Entry (Left or Right) & Three Door Type		
Cleanliness Level	ISO Class 5 as per ISO 14644-1 (Class 100 as per US FED Std 209E)		
Down Flow Velocity	0.45 m/s ± 10% (90 FPM ± 10 %)		
Noise Level	Less than 60 dB on A Scale		
Light Intensity	Minimum 300 Lux		
Differential Pressure	By Magnehelic Gauge (0-25 mm)		
Material of Construction	Galvanised Iron or IS 304 Grade Stainless Steel		
Worktable	IS 304 Grade Stainless Steel		
Doors	Double Skin Door with Double Galzed View Glass Swing Type		
HEPA Filter	H 14 Grade 99.99% efficiency down to 0.3 micron		
Pre Filter	G4 Grade > 90% efficiency down to 5 micron		
UV Lamp	254nm Wave Length Philips make		
Interlocking	Electromagnet with sensor		
Motor Blower	Motor Blower statically & dynamically balanced Aluminium Impeller		
Standard Accessories	PAO Port, Return Air Grill, Power Cord,		
Power Supply	AC, 220 Volts ± 10%, 50 HZ		

*G- Galvanised Iron, & S- Stainless Steel construction

AEROMECH EQUIPMENTS PRIVATE LIMITED

Registered Office :

3/1760, Door No:F-5, Sri Sudharsan Flat, Bell Nagar, Kundrathur Road, Porur, Chennai- 600116. Tamil Nadu, India.

E-mail: mail@aeromech.in | +91 44 43842021/ 43842030

Factory :

8/64, Dhanabakiyam Street, Krishnaveni Industrial Estate , Mangadu Main Road. Paraniyuthur, Chennai -600122. TN

E-mail: sales@aeromech.in | +91 9445064312/ +91 8148156075

Customer Care: +91 7358647600

NABL Accredited Labortory as per ISO 17025:2017